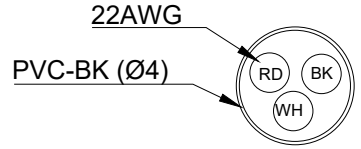
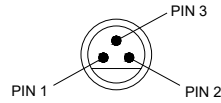


Revision Notes				
R1-				
APA -	Drawn-	Checked-	Approved-	Date: 07.02.20

SECTION A:A



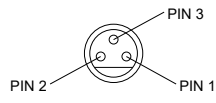
VIEW A



3 PIN FEMALE MATING FACE

PIN #	WIRE COLOUR
1	BLACK
2	RED
3	WHITE

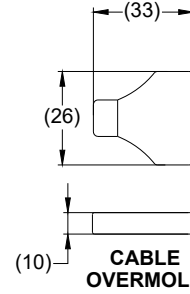
VIEW B



3 PIN MALE MATING FACE

PIN #	WIRE COLOUR
1	BLACK
2	RED
3	WHITE

VIEW C



CABLE OVERMOLD

DETAIL D

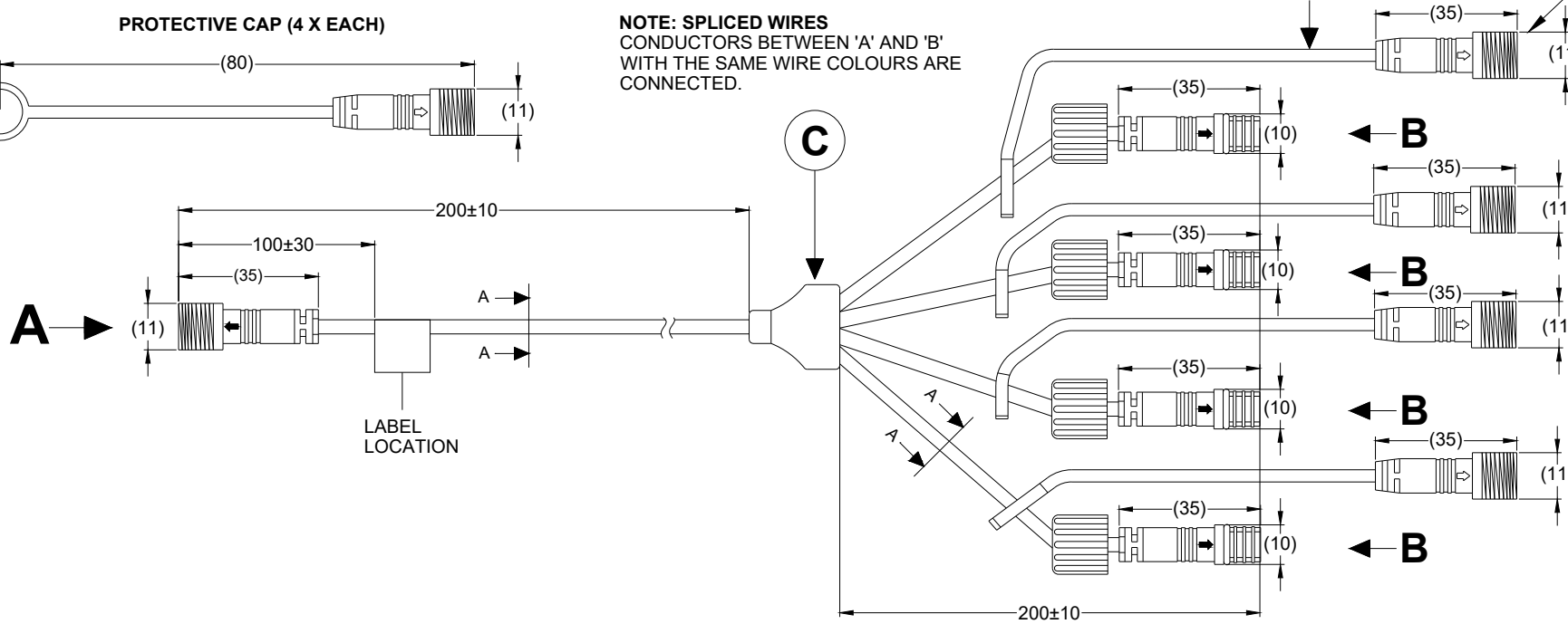
PROTECTIVE CAP (4 X EACH)



NOTE: SPLICED WIRES CONDUCTORS BETWEEN 'A' AND 'B' WITH THE SAME WIRE COLOURS ARE CONNECTED.

DETAIL D

PROTECTIVE CAP



- NOTES:**
- FOR PRODUCT LABEL AND PACKAGING DETAILS REFER TO MASTER BOM.
 - UNUSED INPUTS MUST HAVE PROTECTIVE CAPS FITTED DURING INSTALLATION.

PROPRIETARY NOTICE
THIS DESIGN AND TECHNICAL INFORMATION APPEARING ON THIS DRAWING IS THE PROPERTY OF BRIGADE ELECTRONICS, AND IS DISCLOSED IN CONFIDENCE. IT IS NOT TO BE COPIED, REPRODUCED, REVEALED TO OR EXPROPRIATED BY OTHERS, EITHER IN WHOLE OR IN PART WITHOUT THE EXPRESS WRITTEN CONSENT OF BRIGADE ELECTRONICS.

BRIGADE

Assembly Pl Approval A. YAO	Approved by B. CHILDS	Checked by S. GOVENDER	Drawn by F. ADEMUJIMI
Units mm	Scale N/A	Released 21/08/20	Assembly Ref -
Status RELEASED	SSP-0.4-SP		
Part No 6065	BE-004294-00-20		

